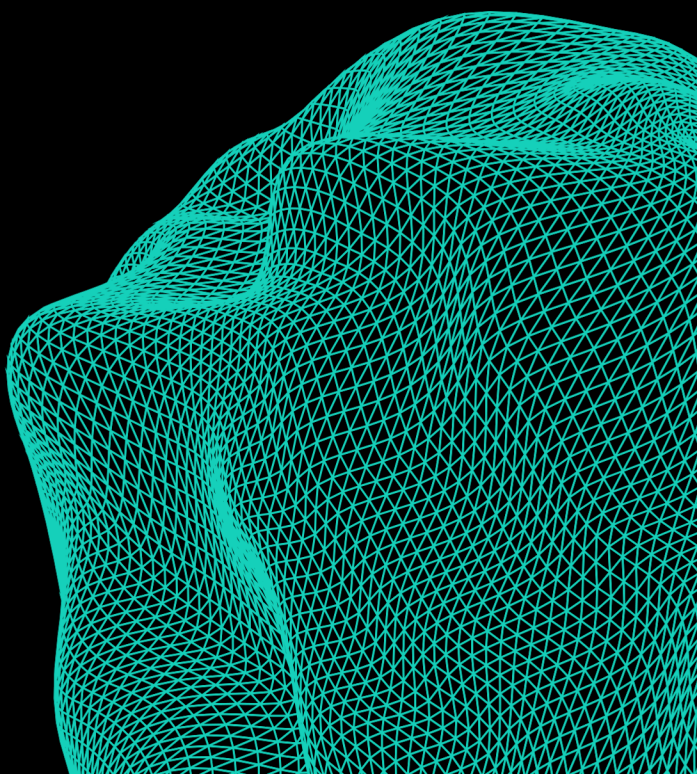
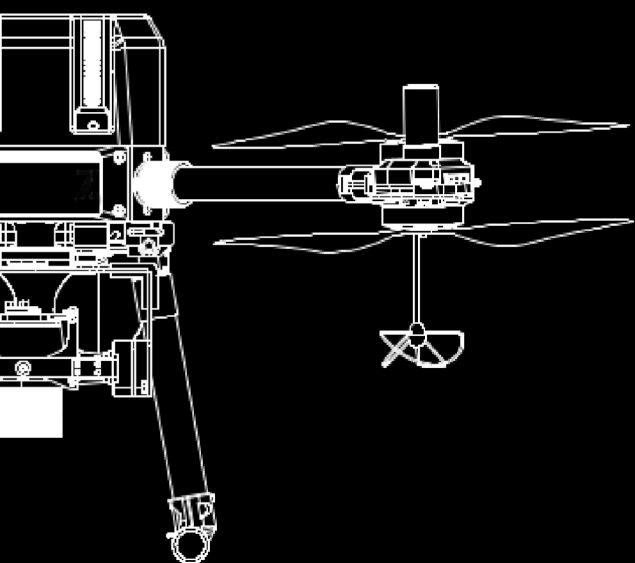


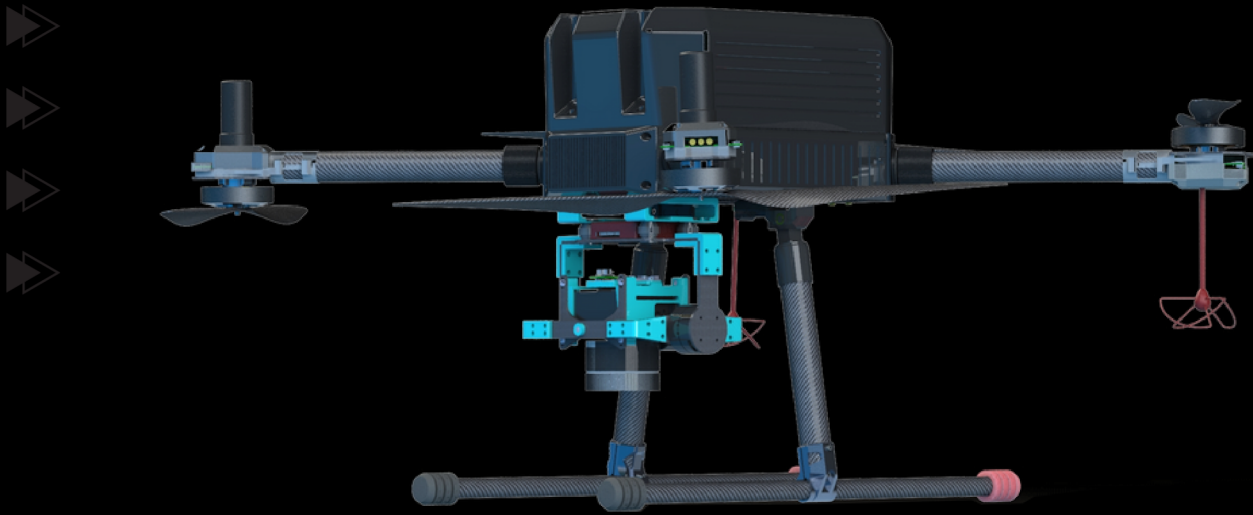
# VIAX4



**VIADRONE**



# DRONE VIAX4



AIRCRAFT TYPE

SIZE

800MM

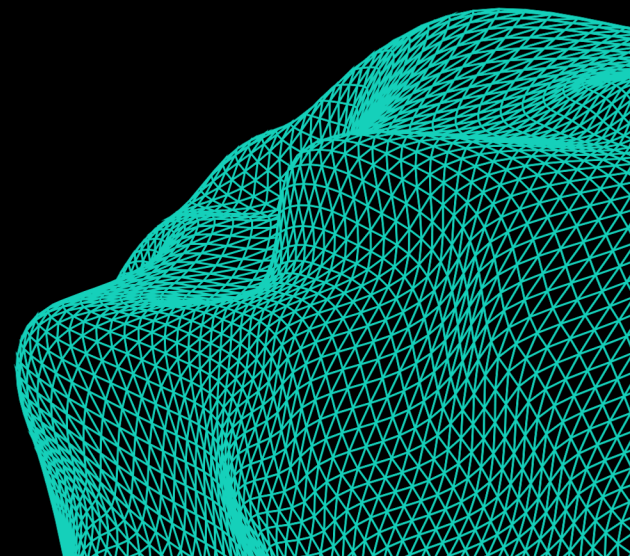
MTOW

8KG

WEIGHT (WITH NO PAYLOAD)

4.5KG

**VIADROME**

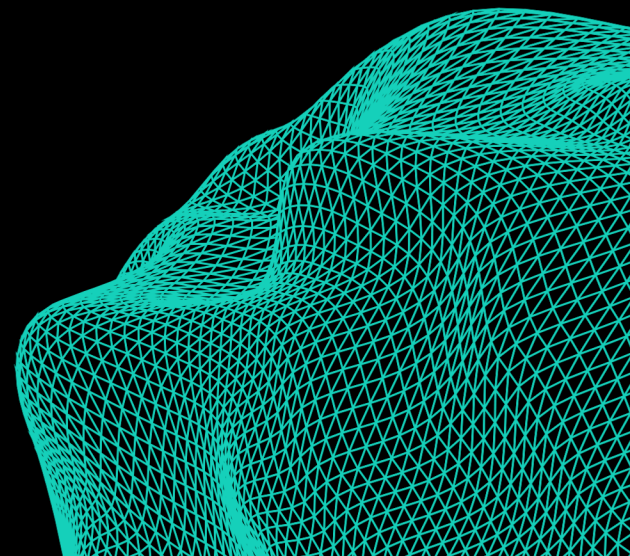
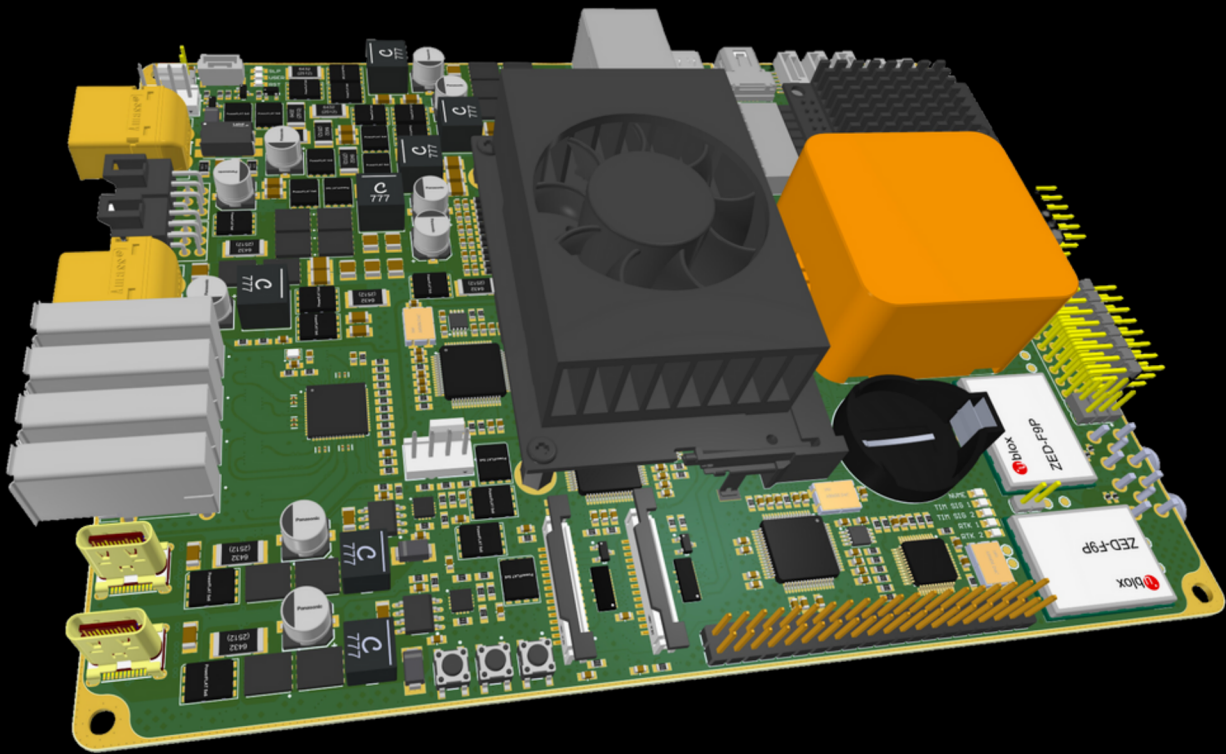




POWERED BY  
**AI ENABLED**

**INTEGRATED FLIGHT COMPUTER (IFC)**

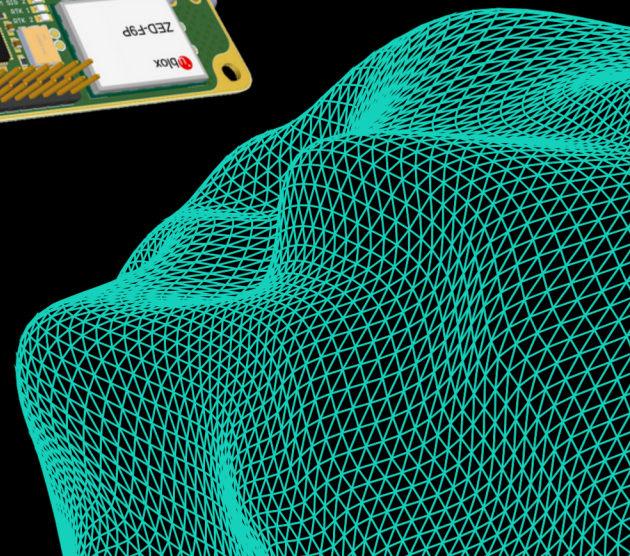
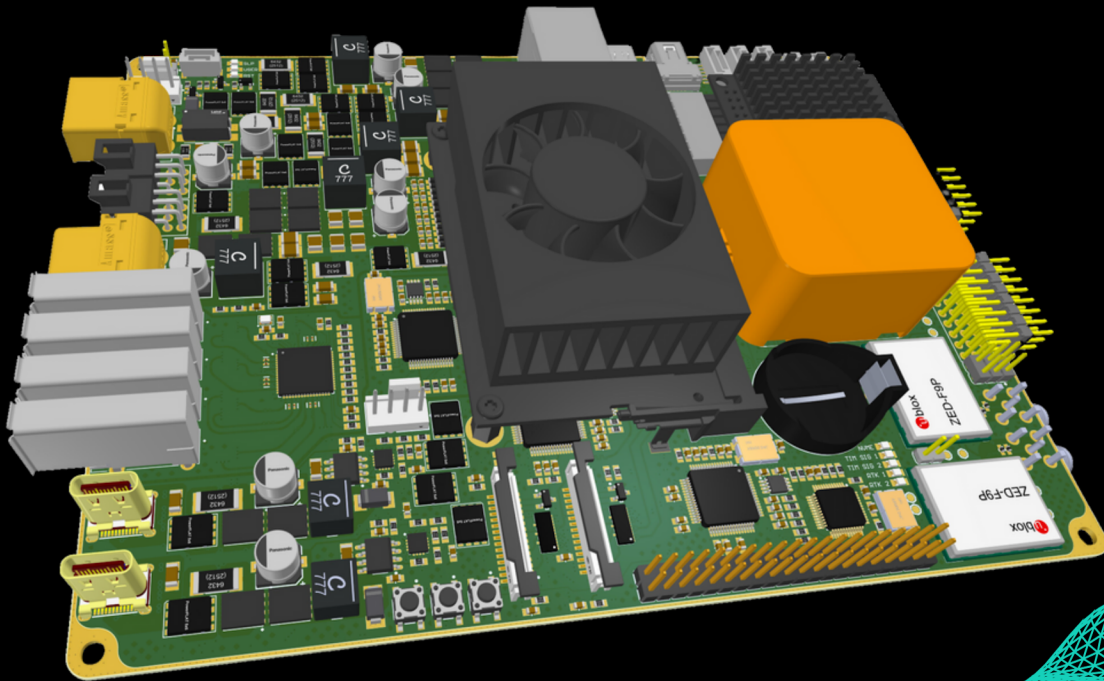
- ▶ **SUPERB INTER-COMPONENT COMMUNICATION**
- ▶ **BETTER VIBRATION HANDLING**
- ▶ **EASY INTEGRATION**
- ▶ **REDUCED WIRING**





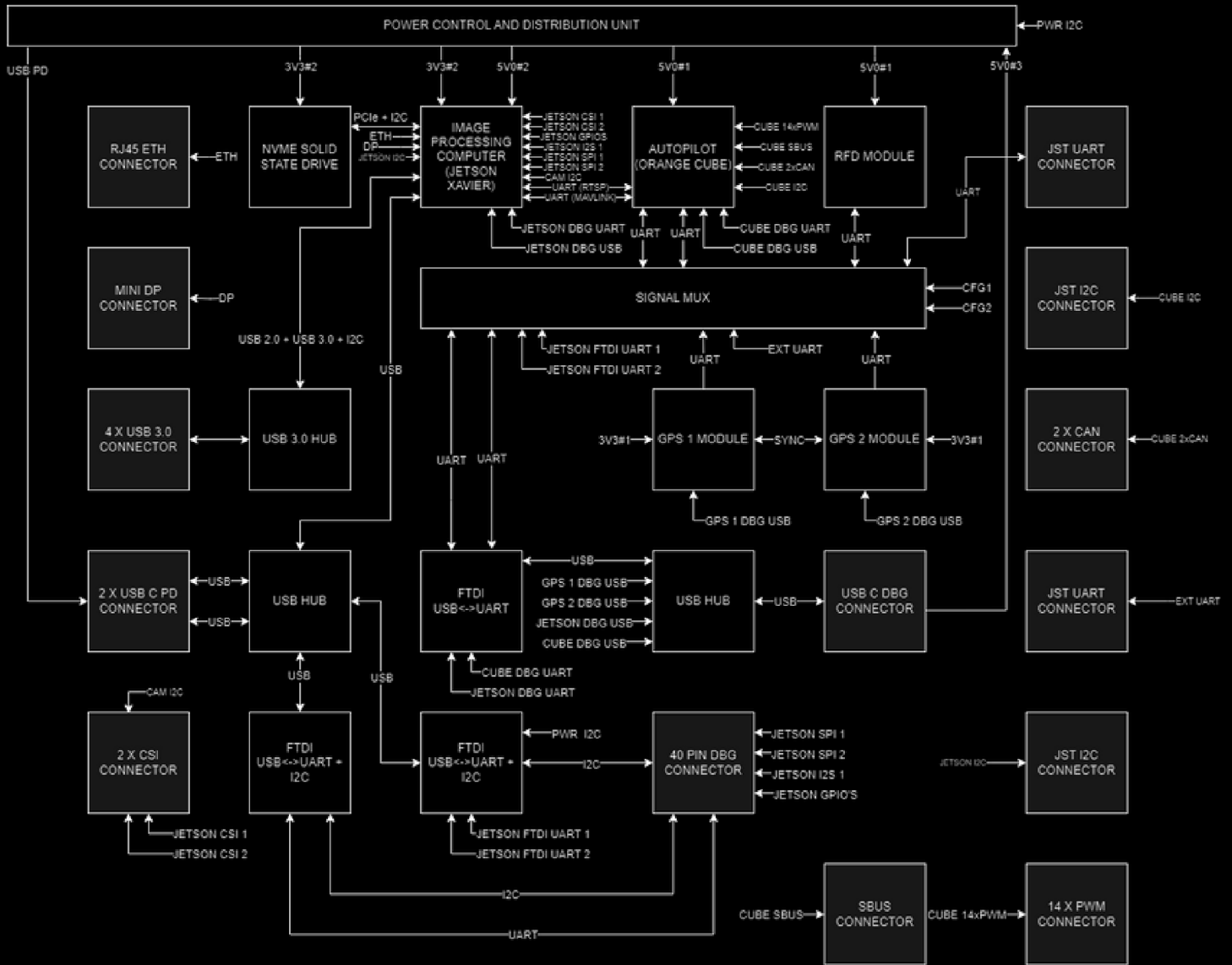
# IFC

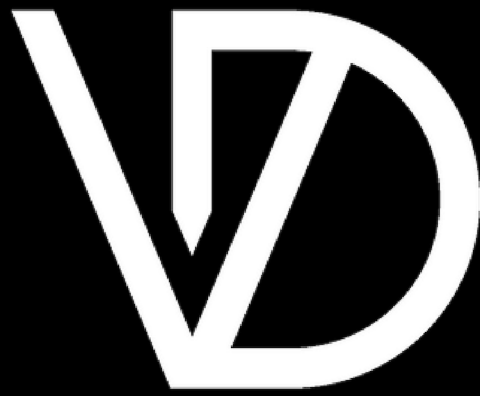
- COMPATIBLE WITH CUBE PILOT
- COMPATIBLE WITH JETSON NANO/XAVIER NX
- 2x CAN WITH 12V/8A OUT
- AUXILIARY 12V/12A XT60 OUT
- 2x USB PD 5V,9V,12V,15V 3A USB-C (USB 2.0 ONLY)
- COMPATIBLE WITH RFD RADIO
- ETHERNET AND DISPLAY PORT FOR JETSON
- DEBUG USB-C





# BLOCK DIAGRAM





**VIADRONE**

